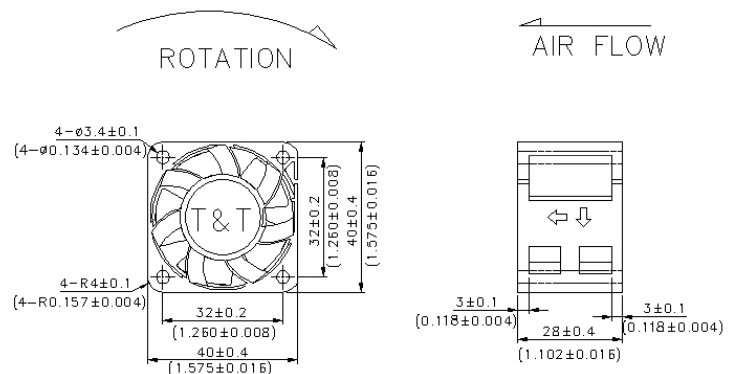
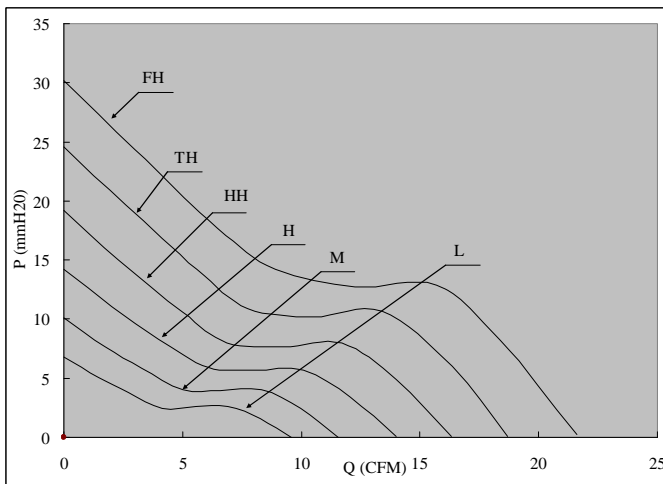
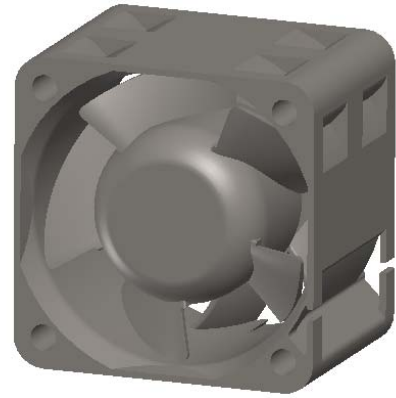


# 4028II Series (40x40x27.9mm)



## BRIEF SPECIFICATIONS

MODEL NO	RATED VOLTAGE V	RATED CURRENT A	ACTUAL CURRENT A	RATED POWER W	RATED SPEED RPM	MAX. AIR FLOW	MAX.STATIC AIR PRESSURE	NOISE LEVEL DBA
						CFM	mmH2O	
4028L12B	12	0.12	0.06	1.44	6500	9.56	6.74	32.5
4028M12B	12	0.22	0.10	2.64	8000	11.55	10.10	38.0
4028H12B	12	0.28	0.20	3.36	9500	14.00	14.20	43.0
4028HH12B	12	0.42	0.29	5.04	11000	16.28	19.20	47.2
4028TH12B	12	0.58	0.38	6.92	12500	18.70	24.60	50.8
4028FH12B	12	0.66	0.48	7.92	14000	21.62	30.20	54.4

Data Change Subject To Without Notice