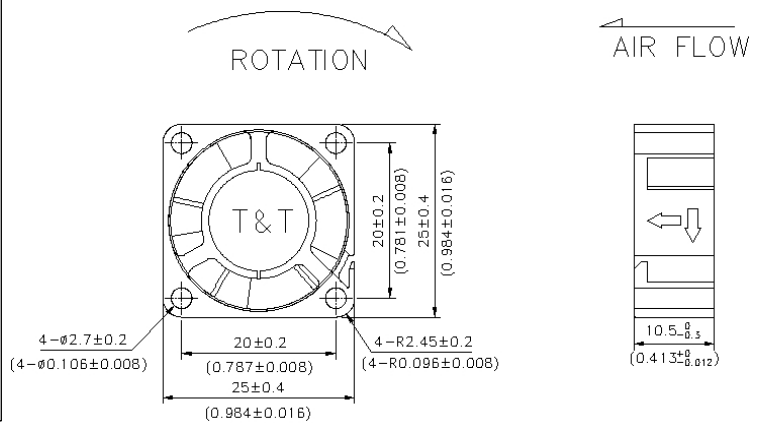
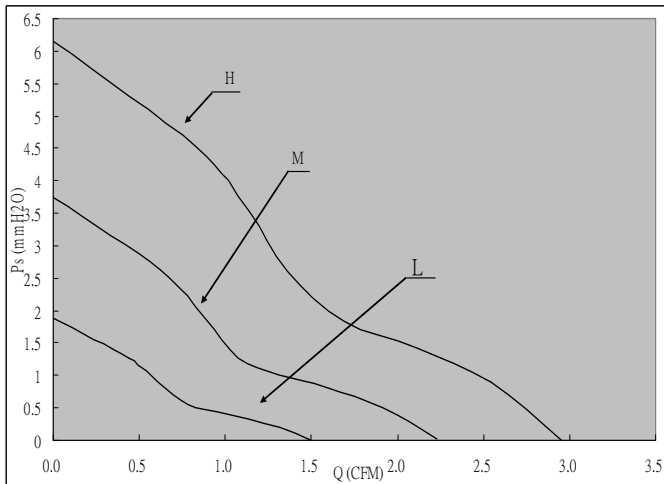
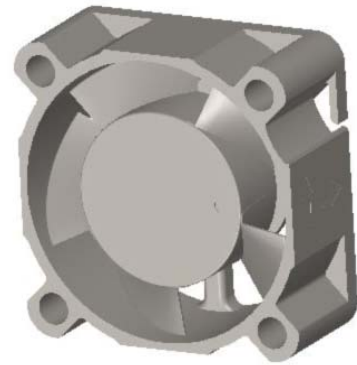


# 2510III Series (25x25x10.5mm)



## BRIEF SPECIFICATIONS

MODEL NO	RATED VOLTAGE V	RATED CURRENTA	ACTUAL CURRENTA	PATED POWER W	RATED SPEED RPM	MAX. AIR FLOW	MAX.STATIC AIR PRESSURE	NOISE LEVEL DBA
						CFM	mmH <sub>2</sub> O	
<b>2510L05F/S/B</b>	5.0	0.14	0.05	0.70	7000	1.50	1.88	19.911
<b>2510M05F/S/B</b>	5.0	0.17	0.08	0.85	10000	2.23	3.74	22.558
<b>2510H05F/S/B</b>	5.0	0.20	0.10	1.00	13000	2.95	6.16	29.379

Data Change Subject To Without Notice